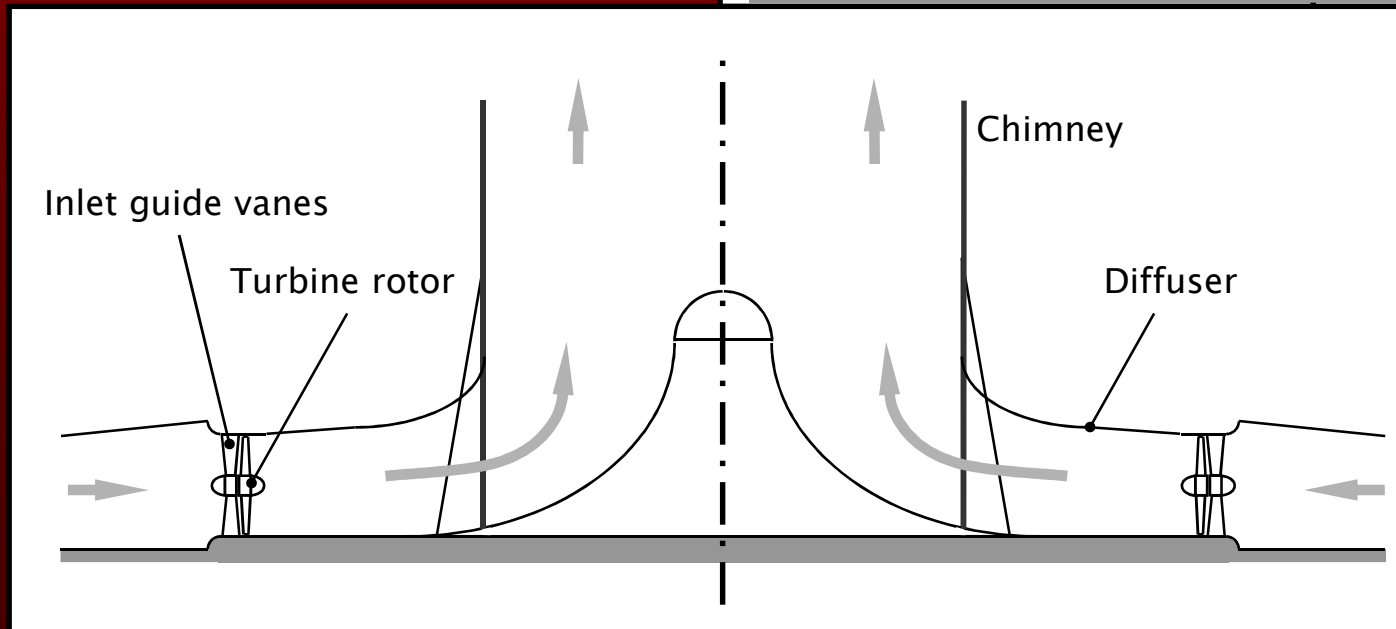
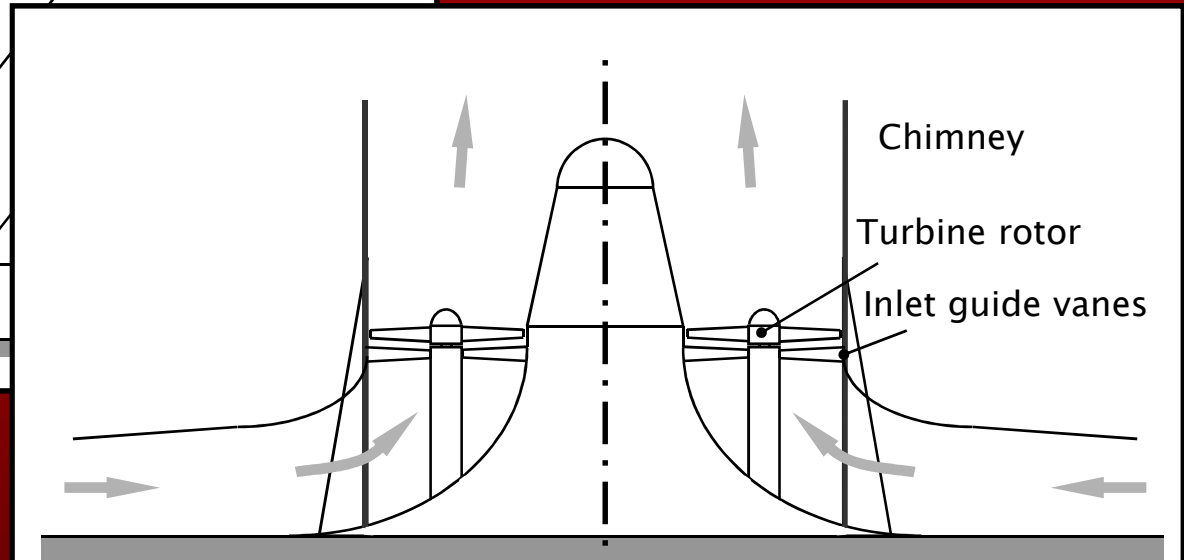
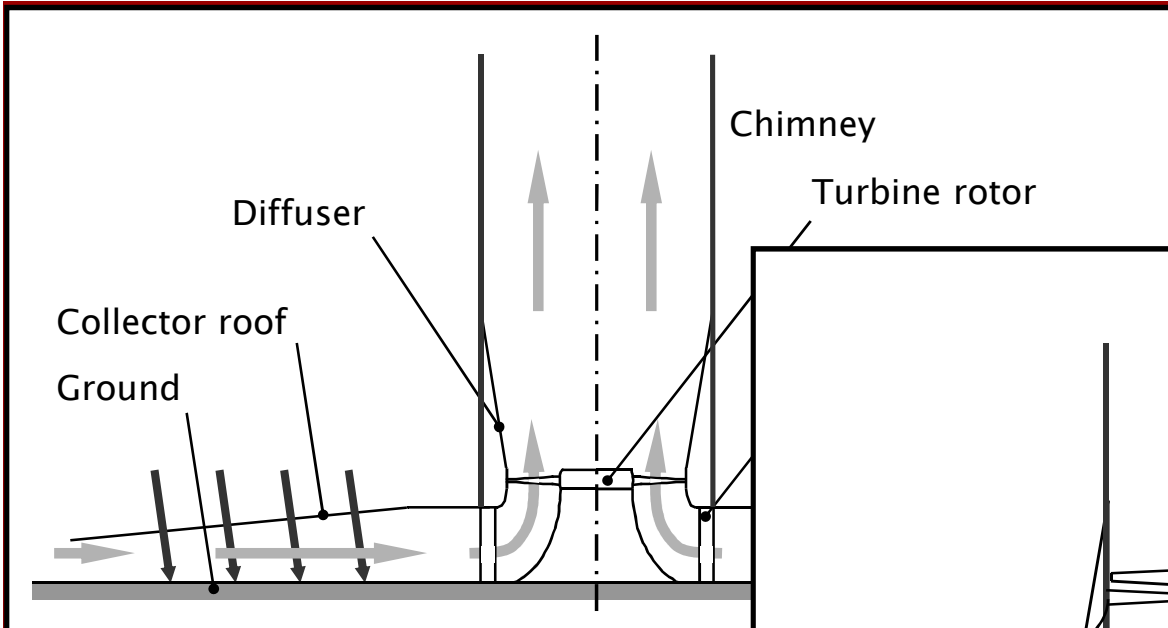
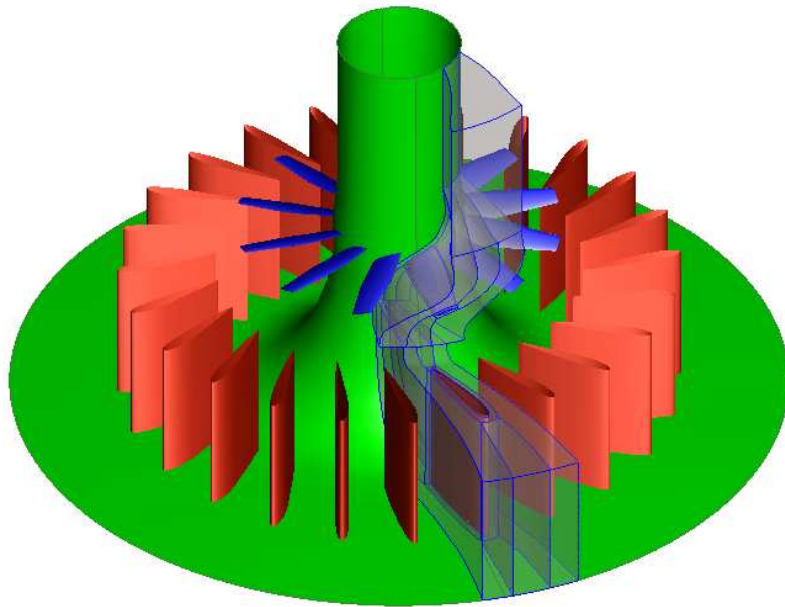


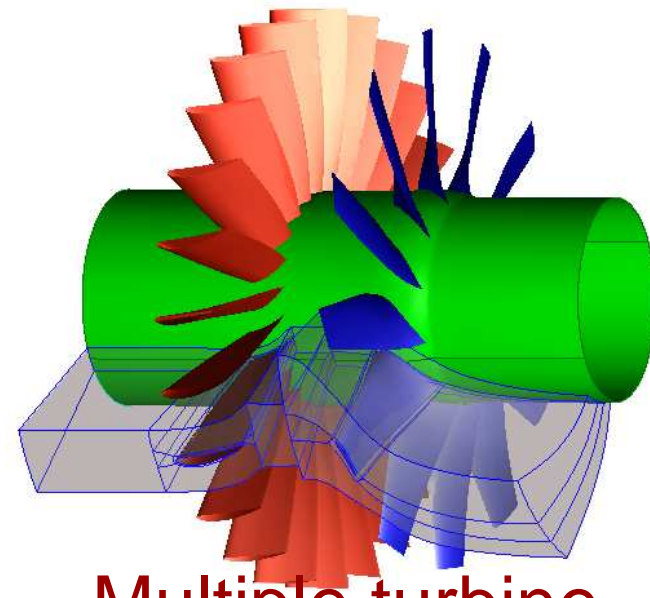
# Solar chimney configurations



# Solar chimney turbine models used in CFD analyses

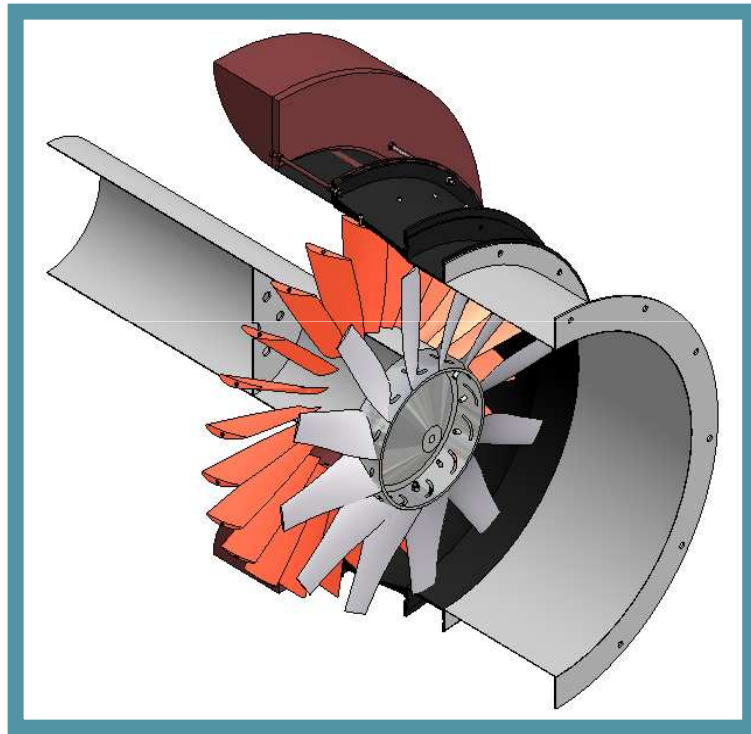


Single turbine model



Multiple turbine  
model

# Solar chimney turbine models



CAD model



Laboratory model